

PEM Driveshaft Order Form

636 234-0975

Fax 636 234-0982

Figure 1 driveshaft

(A) _____

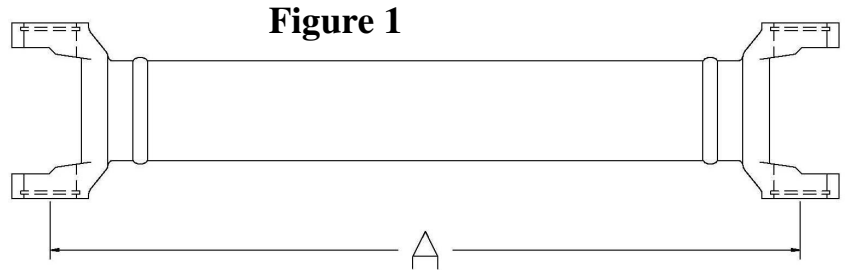


Figure 2

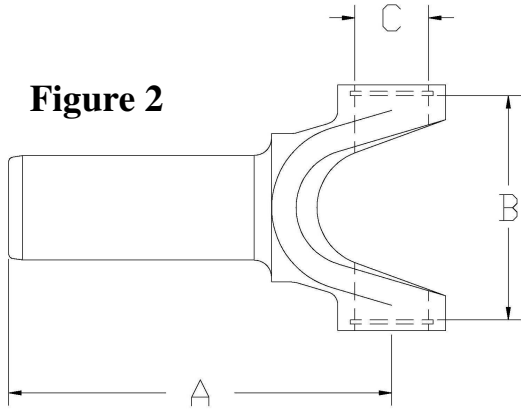


Figure 2 slip yoke

(A) _____ (B) _____

(C) _____

Figure 3

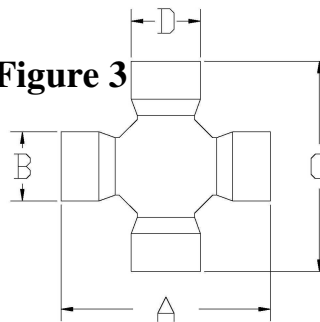


Figure 3 u joint

(A) _____ (B) _____

(C) _____ (D) _____

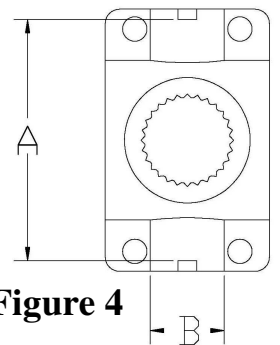


Figure 4

Figure 4 differential yoke

(A) _____

(B) _____

- DOM Steel x Wall thickness
- 2" OD x .083" wall _____
 - 2" OD x .120" wall _____
 - 3" OD x .083" wall _____
 - 3.5" OD x .083" wall _____

- Chrome Moly Steel x Wall thickness
- 2" OD x .065" wall _____
 - 2" OD x .083" wall _____
 - 3" OD x .083" wall _____

- Aluminum x Wall thickness
- 3" OD x .125" wall _____
 - 3.5" OD x .114" wall _____
 - 4" OD x .087" wall _____

TIPS:

- The vehicle must be measured as it is to operate; DO NOT measure with the suspension hanging.
- Fill out all dimensions on the order to get the correct drive shaft with the correct yokes.
- Grease u-joints after you install the driveshaft.
- Do not over tighten u-bolts. Torque Specs Cap Size 1 1/16" & 1 1/8" 15-17 ft/lbs. 1 3/16" 15-25 ft/lbs. 1 3/8" 33-37 ft/lbs.

Name _____	Credit Card Number _____
Address _____	Exp. Date _____ V Code _____
City _____	State _____ Zip _____

ALL ORDERS MUST BE ACCOMPANIED WITH COMPLETED DRIVESHAFT ORDER FORM



To ORDER Please Call **RANDY**
636 234-0975
Fax 636 234-0982

PEM Quality Drive Shafts

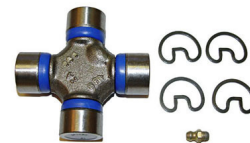
PEM is a well known drive-train parts supplier in the racing marketplace with experienced knowledgeable staff. PEM's core product line includes: 9 inch Ford gears, differentials and center sections for street and racing. **And now, Drive Shafts.**



- DOM mild steel drive shafts available in 2", 3" and 3.5" outside diameters. Chrome Moly steel is also available.
- We also have 3" diameter aluminum drive shafts..
- Quick turn-around time on standard builds and repair.
- New OEM quality parts.
- Built on new purpose built assembly, welding, and balance equipment.
- Call and get a quote on your next driveshaft.
- Dealer inquiries from shops and service centers are also welcome.

U-Joints, Slip Yokes & Hardware

- U-Joints available in Grease-able and Solid Cross.
- U-Joint Styles in stock 1310, 1330, 1350 , 1310/1330, 1330/1350, 1310/3R GM



Drive Shaft Repair and Balancing

- Shorten and Balance Drive Shafts available. Additional cost for replacing U-Joints.

You can find us right off I-44 at exit 240. Take North West Outer Road west to AB and we are behind Pizza Shack. Look for our sign at the end of Saint Clair Industrial Park Drive.